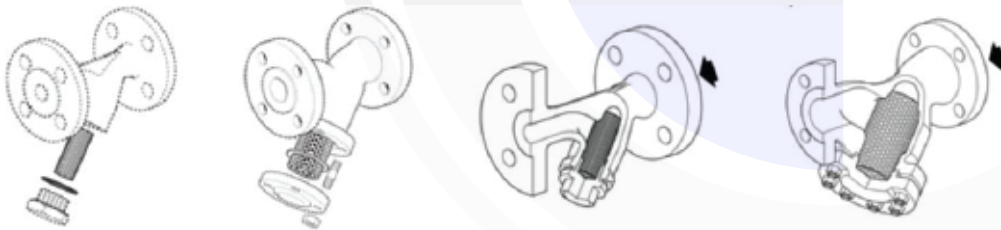


Filtro Y SS316L SS Series ANSI

Y-Strainers SS Series is made for highly corrosive fluids. The SS Series is compact and easy to clean. Its cylindrical shape is strong enough to handle acids, petroleum, hot water, steam, air and corrosive gases. Gases, being readily compressible, will flow through Y-strainers of the same size as a pipeline easily, with little pressure loss. They are designed with adequate safety margins. This means sufficiently heavy wall thickness and blow off connections. As an example, in improperly trapped steam lines, condensate can collect in low points and become a slug of water traveling at very high velocity down the line. Even the slight change in direction caused by a Y-strainer can produce a tremendous shock which can break the strainer wall. The straining element of our industrial Y-Strainers perfectly seals to the body by means of a carefully machined seat so no particle can bypass it. The same thing applies to the clean-out end. The screen fits tightly.

Features:

- A) **One piece** cast body made in SS316L CF3M Body
- B) **Precisely machine seat** slot to accommodate the screen and avoid dirt that by pass the strainer.
- C) **Provide a wide selection** of mesh sizes (mesh: 2.5~325)
- D) **High Quality** stainless steel screen; made out of high resistance wire, rugged and braided type
- E) **Drain port** or drain ball valve with NPT end; for in line emptying of condensate or water.
- F) **Bolting cover** to ease maintenance operations.
- G) **Low pressure** drop streamlined design.
- H) **Large** strainer screens.
- I) **Compact end** to end dimension.

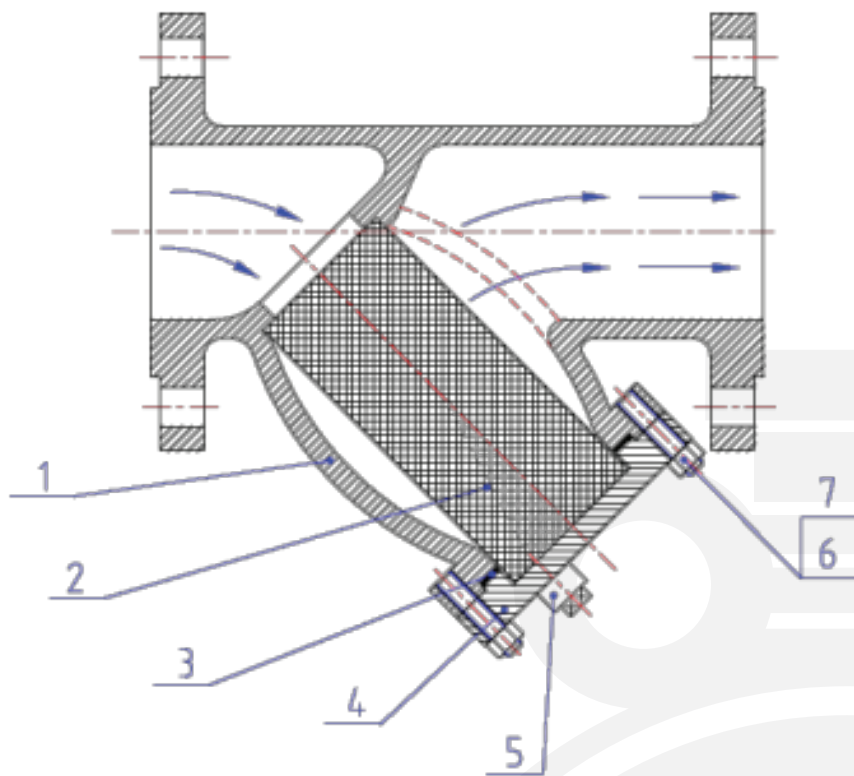


Technical Specification

1. Design & Manufacture standard as to: ASME B31.3
ASME B16.34
2. Face to Face dimension standard as to: MFR-STD
3. Flange dimension conforms as to: ASME B16.5 RF
4. Testing And Inspection as to: API 598
5. Pressure-temperature conforms as to: ASME B16.34
6. Anti Corrosion as per NACE MR-0175 requirement

Technical Data

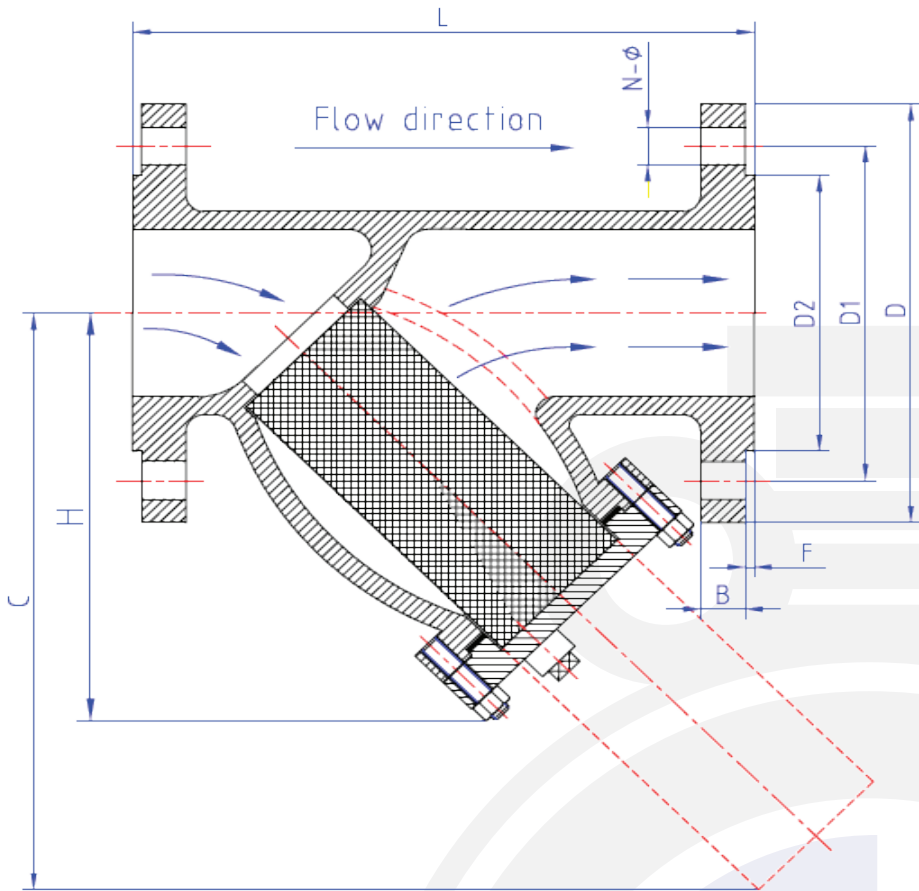
1. Size range: NPS 1"~16"
2. Pressure ratings: 150LB / 300LB
3. Working temperature: -29°C ~ +550°C
(If gasket is PTFE: -29°C ~ +200°C)
4. Suitable Medium: corrosive fluids, sea water, gases, steam, water and waste under high corrosion condition
5. Standard Body Material: A351 CF3M
6. Screen Material: A276 SS316L
7. Mesh: As per purchaser



Part List:

Y Strainer Eco Series

No.	Part Name	Material	Standard
1.	Body	CF3M	ASTM A351
2.	Screen	SS316L	ASTM A276
3.	Gasket	SS316L+Graphite / PTFE	Inner ring spiral wound gasket / USA DuPont
4.	Cover	CF3M	ASTM A351
5.	Drain Plug	F316L	ASTM A182
6.	Bolt	B8M	ASTM A193
7.	Nut	8M	ASTM A194



Main Dimensions:

Y Strainer SS Series 150LB

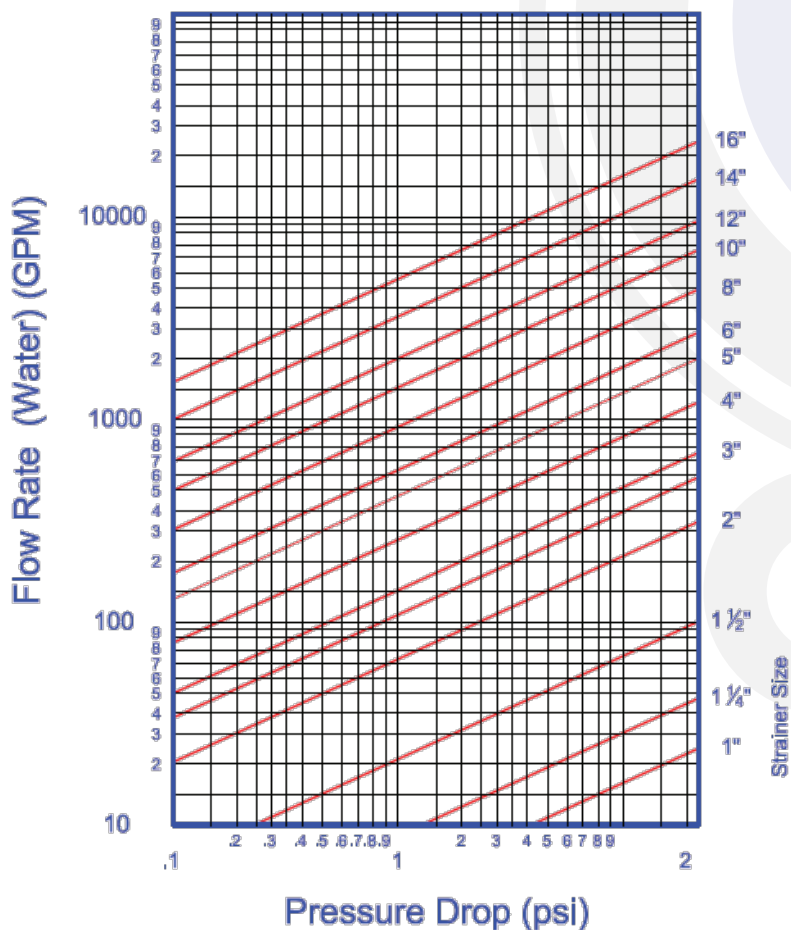
NPS	L	D	D1	D2	B	N-φ	F	H	C	Weight (Kg)
1"	160	Φ110	Φ79.4	Φ51	13	4-Φ16	2	105	145	3.4
1 1/4"	180	Φ115	Φ88.9	Φ64	14.5	4-Φ16	2	131	180	5.2
1 1/2"	200	Φ125	Φ98.4	Φ73	16	4-Φ16	2	151	193	6.35
2"	220	Φ150	Φ120.7	Φ92	17.5	4-Φ19	2	165	207	7.8
2 1/2"	250	Φ180	Φ139.7	Φ105	21	4-Φ19	2	182	230	12
3"	282	Φ190	Φ152.4	Φ127	22.5	4-Φ19	2	201	256	16
4"	310	Φ230	Φ190.5	Φ157	22.5	8-Φ19	2	238	303	21
5"	340	Φ255	Φ215.9	Φ186	22.5	8-Φ22	2	275	347	32
6"	385	Φ280	Φ241.3	Φ216	24	8-Φ22	2	326	420	40
8"	490	Φ345	Φ298.5	Φ270	27	8-Φ22	2	395	510	75
10"	540	Φ405	Φ362.0	Φ324	29	12-Φ25.5	2	385	560	90
12"	590	Φ485	Φ431.8	Φ381	31	12-Φ25.5	2	427	630	150
14"	690	Φ535	Φ476.3	Φ413	33.5	12-Φ29	2	526	725	260
16"	780	Φ595	Φ539.8	Φ470	35	16-Φ29	2	574	840	390

Y Strainer SS Series 300LB

NPS	L	D	D1	D2	B	N-Φ	F	H	C	Weight (Kg)
1"	160	Φ110	Φ79.4	Φ51	13	4-Φ16	2	105	145	3.4
1 1/4"	180	Φ115	Φ88.9	Φ64	14.5	4-Φ16	2	131	180	5.2
1 1/2"	200	Φ125	Φ98.4	Φ73	16	4-Φ16	2	151	193	6.35
2"	220	Φ150	Φ120.7	Φ92	17.5	4-Φ19	2	165	207	7.8
2 1/2"	250	Φ180	Φ139.7	Φ105	21	4-Φ19	2	182	230	12
3"	282	Φ190	Φ152.4	Φ127	22.5	4-Φ19	2	201	256	16
4"	310	Φ230	Φ190.5	Φ157	22.5	8-Φ19	2	238	303	21
5"	340	Φ255	Φ215.9	Φ186	22.5	8-Φ22	2	275	347	32
6"	385	Φ280	Φ241.3	Φ216	24	8-Φ22	2	326	420	40
8"	490	Φ345	Φ298.5	Φ270	27	8-Φ22	2	395	510	75
10"	540	Φ405	Φ362.0	Φ324	29	12-Φ25.5	2	385	560	90
12"	590	Φ485	Φ431.8	Φ381	31	12-Φ25.5	2	427	630	150
14"	690	Φ535	Φ476.3	Φ413	33.5	12-Φ29	2	526	725	260
16"	780	Φ595	Φ539.8	Φ470	35	16-Φ29	2	574	840	390

Y Strainer SS Series Flow Rate Vs. Pressure Drop

(Clean Screen)



ORDERING CODE:

Example: YSSS-222-400

Y Trainer SS Series

SS316L Body

SS316L Interior

Mesh20

Class 300

Size 4"

Available Body Material Code:

SS316 CF8M: 1

SS316L CF3M: 2

SS304 CF8: 3

Duplex 2205: 4

Available Interior Material Code:

SS316 CF8M: 1

SS316L CF3M: 2

SS304 CF8: 3

Duplex 2205: 4

Available Size Code:

2": 200

2 1/2": 250

3": 300

4": 400

5": 500

6": 600

8": 800

10": 1000

12": 1200

14": 1400

16": 1600

Available Class

Class 150: 1

Class 300: 2